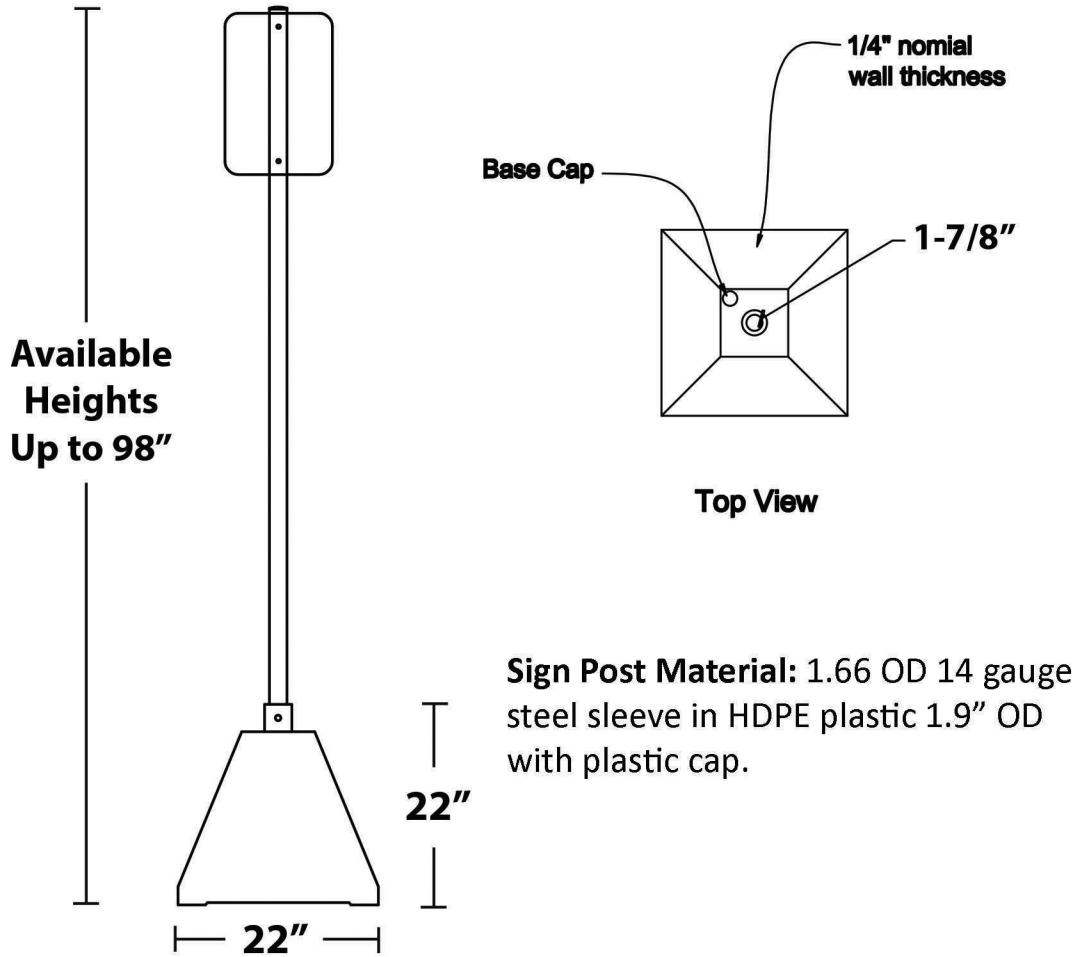


# Sign Base - Pyramid Product Specifications



## SPECIFICATIONS

### Sign Base Material:

1/4" Nominal Wall Thickness  
Low-Density Polyethylene Thermoplastic  
w/Ultra-Violet and Anti-Static Additives

### Sign Base Dimensions:

22" H x 22" W x 22" D

### Weight:

30 lbs. with pole

### Colors:

Standard colors: OSHA Yellow, Blue or Red  
Custom colors available

### Height:

Standard Height is 98" without wheels  
Standard Height is 102" with wheels

### Installation:

Fill with concrete, sand or water  
Recommend 100 lbs. of sand or gravel  
Up to 22 Gal. of water

NO.	REVISIONS	DATE	APPROVED	PROJECT	CUSTOMER	DESCRIPTION	DRAWN BY	APPROVED BY	DATE
						Sign Base - Pyramid			

